



OWNERS MANUAL

SPHERE (120V)



IMPORTANT SAFETY INSTRUCTIONS

BEFORE USING THIS DEVICE READ ALL INSTRUCTIONS AND CAUTIONARY STATEMENTS IN THIS MANUAL AND ON THE DEVICE.

The Sphere is an electrical device. Please read the safety instructions and considerations before use and take the necessary precautions to reduce the risk of fire, electric shock or injury. **The Limited Warranty applies only if the unit is used in accordance with these instructions.**

- ✓ Use the grounded power cable provided with your device. The plug fits securely into a compatible grounded outlet. Do not alter the plug in any way.

CAUTION: TO REDUCE THE RISK OF FIRE OR ELECTRIC SHOCK, USE INDOORS ONLY. SEE INSTRUCTIONS.

⚠ WARNING: Electrical shock can cause personal injury or death.

⚠ WARNING: Skin or eye damage may result from directly viewing the light produced by the lamp in this apparatus. Always disconnect power before relamping or servicing. Replace Lamp with Lamp Model No., M4-CX-08, Manufactured by LCD Lighting Inc.

⚠ WARNING: Do not allow the device to become clogged with dust or other debris. Check it regularly and replace the catalytic Sail or filter if they become clogged.

⚠ WARNING: To reduce the risk of fire or electric shock, do not use this product with any solid-state speed control device.

When using an electrical device, basic precautions should always be observed, including the following:

⚠ WARNING

These warnings apply to the Synexis[®] device and, where applicable, to all tools and accessories TO REDUCE THE RISK OF FIRE, ELECTRIC SHOCK OR SERIOUS INJURY:

1. Keep combustible materials, like bedding, clothing, curtains, furniture and paper at least three feet away from the device when it is plugged in.
2. Use only as described in this Synexis Operating Manual. Do not perform any maintenance other than what is shown in this manual. Any other use, not specifically recommended by the manufacturer, may result in fire, electric shock or injury.
3. Make sure device is assembled by following manufacturer's instructions completely. Do not dismantle the device.

4. This Sphere device is not a toy. Use caution when children are nearby. Children should be kept away unless continuously supervised. Do not allow children to play with the Sphere device.
5. This Sphere device is not intended for use by persons (including children) with reduced physical or reasoning capabilities, or lack of experience and knowledge, unless they have been given supervision or instruction about the use of the Sphere device by a person responsible for their safety.
6. Sphere device is suitable for dry locations ONLY. DO not use outdoors, on or near wet surfaces. Do not use in bathrooms, laundry areas or similar indoor locations. Never place the Sphere device where it may fall into a bathtub or other water container. Do not use or store near a bath or shower, or a swimming pool.
7. Do not use the Sphere device in areas where fuel, paint, or flammable liquids are used or stored where their vapors are present.
8. Do not use in conjunction with or directly next to an air freshener or similar products.
9. Do not handle any part of the plug or Sphere device with wet hands.
10. UV light source. Disconnect power cord before opening cover.
11. Do not sit on or place any object on this device.
12. Do not use with a damaged power cord or plug. If the power cord is damaged, it must be replaced by Synexis, its service agent or similarly qualified persons in order to avoid a hazard.
13. Unplug power cord from outlet before performing any type of maintenance. Do not unplug the Sphere device by pulling on the power cord. To unplug, grasp the plug, not the cord and remove from the power outlet.
14. Do not stretch the power cord or place the cord under strain. Keep the power cord away from heated surfaces.
15. Do not run the power cord underneath carpeting. Do not cover cord with throw rugs, runners or similar coverings. Do not route cord under furniture or other appliances. Avoid placing power cord in high traffic areas and where it could be tripped over.
16. To prevent a possible fire, do not use with any opening or exhaust blocked, and keep free of dust, lint, hair, and anything that may reduce airflow. Do not put any object into the inlet grill or exhaust opening as this may cause electric shock or fire, or damage to the Sphere device.
17. In order to avoid overheating, do not cover the Sphere device.
18. For the best performance, place the Sphere device where air intake and top grill are unobstructed.
19. Turn off all controls before unplugging. Always unplug Sphere device from the power outlet when it is not in use.
20. If the Sphere device is not working as it should, has been dropped, struck, damaged, left outdoors, or dropped into water, do not use and contact your Synexis Account Representative.

21. Contact Synexis when service or repair is required. Do not disassemble the Sphere device, as incorrect re-assembly may result in electric shock or fire.
22. To avoid a tripping hazard, secure power cord when not in use.
23. Do not use Sphere device near furnaces, fireplaces, stoves or other high-temperature heat sources.
24. Do not spray or apply perfumes directly on or near the filter. Keep essential oils and chemicals away from the Sphere device.

READ AND SAVE THESE INSTRUCTIONS

Contents

- Welcome..... 5**
- Included Parts 5**
- About Dry Hydrogen Peroxide (DHP®).....6**
- Indications for Use 6**
- Legal Notice..... 6**
- Sphere Device Specifications..... 7**
- Installation 8**
- Troubleshooting 11**
- Maintenance 12**
- Cleaning Instructions..... 12**
- Getting the most from your Synexis System 13**
- Warranty..... 13**

Welcome

Thank you for choosing Synexis®, developers of Dry Hydrogen Peroxide (DHP®) and this Sphere device. Before using the Synexis System, please take a few minutes to:

- ✓ Familiarize yourself with the Sphere device
- ✓ Familiarize yourself with the installation steps and required tools
- ✓ Inspect your system and parts

Please contact your Synexis Account Representative for questions or additional information.

Included Parts

- ✓ 1 Synexis® Sphere device
- ✓ 1 Custom UV-A Bulb
- ✓ 1 Power Cord (Type B Plug, 9 Ft. Cable)
- ✓ 1 Quick Start Guide
- ✓ 1 Torx T10 T-Handle screwdriver (for locking screw)
- ✓ 1 Security Torx T10 “L” shaped tool (for Bulb Cover)
- ✓ 1 Stand (already installed)
- ✓ 1 Wall mount bracket

Starter Kit (Ships Separately)

- ✓ 1 Sail
- ✓ 1 Carbon filter
- ✓ 1 MERV 11 filter

After opening the box, unpack and inspect your device for damage.

DO NOT OPERATE THIS DEVICE IF ANY DAMAGE IS NOTED. If the device is damaged, contact your Synexis Account Representative.

About Dry Hydrogen Peroxide (DHP®)

Synexis is the sole developer of hydrogen peroxide gas and DHP Technology for occupied spaces. Using DHP, our patented microbial reduction technology allows for the natural and continuous reduction of microbial contamination in occupied spaces. Synexis Systems are patented for use in the United States and around the world. By encompassing all areas of an enclosed space, DHP can reach the most important areas of a facility.

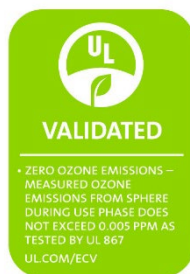
Using ambient humidity and oxygen naturally present in your environment, Synexis Technology creates a very low level of hydrogen peroxide (H₂O₂) gas, which reduces unwanted microbial contamination in the air and on surfaces. Because DHP is a pure gas, it can reach the toughest and most out-of-reach areas of your facility. Dry Hydrogen Peroxide is effective because of its state of matter and method of action.

Indications for Use

This product is not sold as a medical device and is not intended to be used to diagnose any disease or condition, nor should it be used in the mitigation, treatment, or prevention of any disease or condition.

Legal Notice

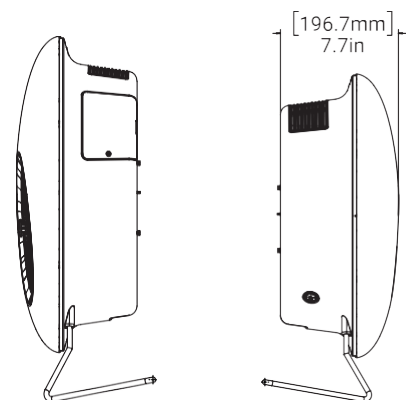
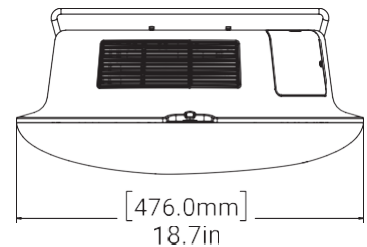
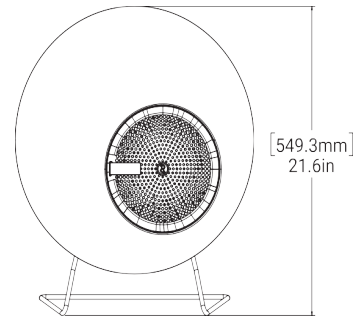
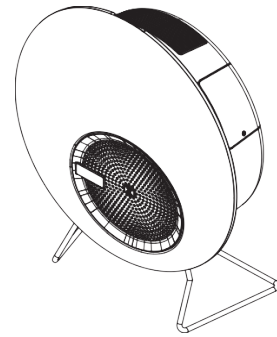
While every attempt is made to ensure the accuracy of the information contained in this manual, Synexis accepts no liability for errors or omissions, or any consequences deriving from the use of information contained herein. This Sphere manual is provided “as is” and without any representation, term, condition or warranty of any kind, either express or implied. To the extent permitted by law, Synexis shall not be liable to any person or entity for any loss or damage which may arise from the use of this manual. We reserve the right at any time and without any notice to remove, amend or vary any of the content which appears herein.



Sphere Device Specifications

DEVICE	SPHERE 120
INSTALLATION	Stand or Wall Mount
TYPICAL COVERAGE*	1000 ft ² / 93 m ²
INPUT VOLTAGE REQUIREMENTS	100-130V 50/60 Hz
ELECTRICAL CURRENT REQUIREMENTS	0.75A 90 Watts
WEIGHT	14 lbs / 6.4 kg
COLOR	White and Gray
MATERIALS	Polycarbonate (PC)
DIMENSIONS	Height: 21.6" (549.3 mm) Width: 18.7" (476 mm) Depth: 7.7" (196.7 mm)
FAN	3 Fan Speeds
FAN NOISE	High: 64.5 dB Medium: 54.3 dB Low: 52.4 dB
CONSUMABLE REPLACEMENTS*	6 Months <ul style="list-style-type: none"> • Catalyst (Sail) • MERV 11 filter • Carbon filter 2 Years <ul style="list-style-type: none"> • Fluorescent UV-A bulb

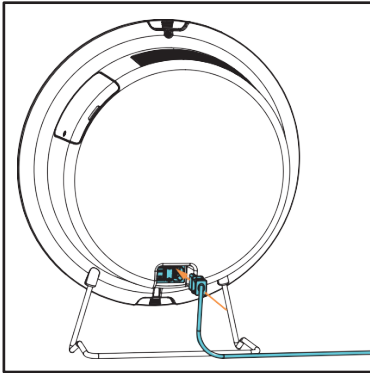
*Coverage and consumable replacements vary by application and are dependent on factors such as typical indoor air contaminants, occupancy, and other variables. Please consult with Synexis technical experts to validate coverage and consumable replacements.



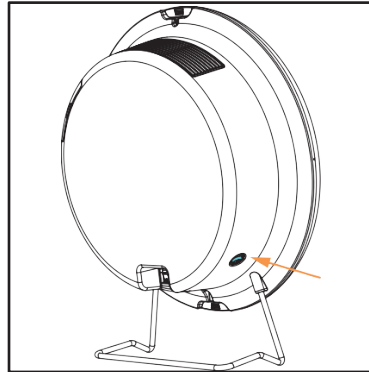
Installation

The Sphere device requires the installation of the Filters, Sail, and UV-A Bulb before operating.

Getting to know your device:

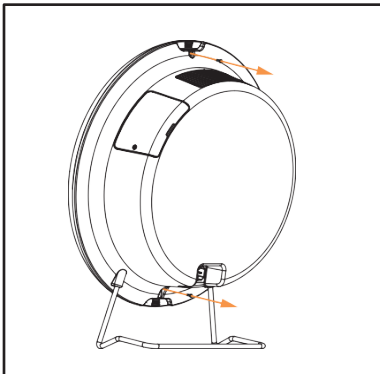


The power cord and power switch are located on the back of the device.

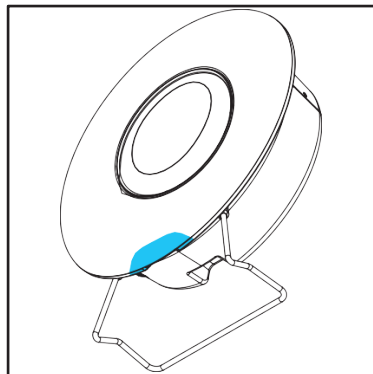


To adjust the device airflow, use the fan speed control switch located on the side of the device.

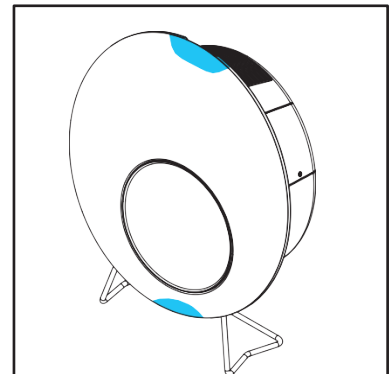
Opening the cover:



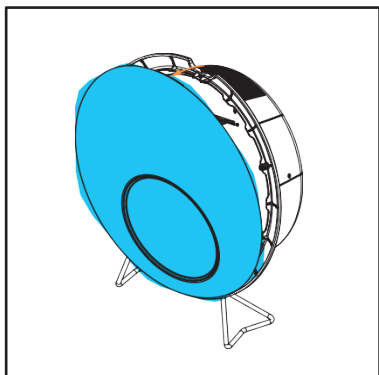
Remove the safety screws at the top and bottom.



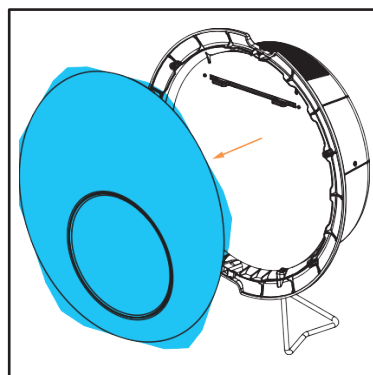
Hold the bottom of the device.



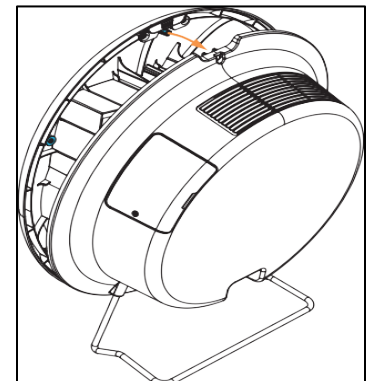
Grab the recess on the top of the device.



Pull the top and bottom of the cover to disengage the magnets.



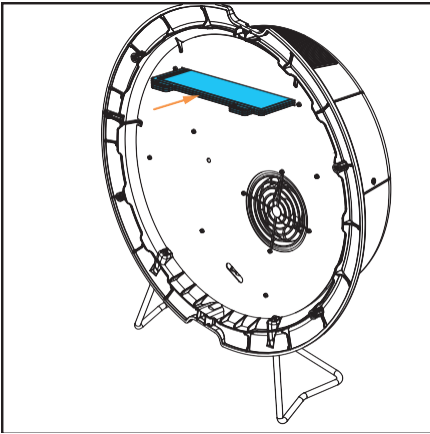
Remove the cover.



To put the cover back on, position the top and bottom pins over the slots. Let the magnets reengage. Fasten the safety screws.

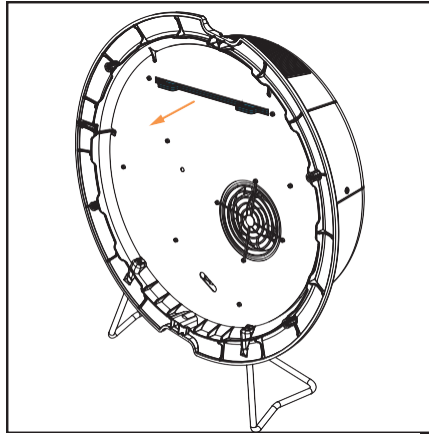
Installation (cont.)

Inserting the Sail:

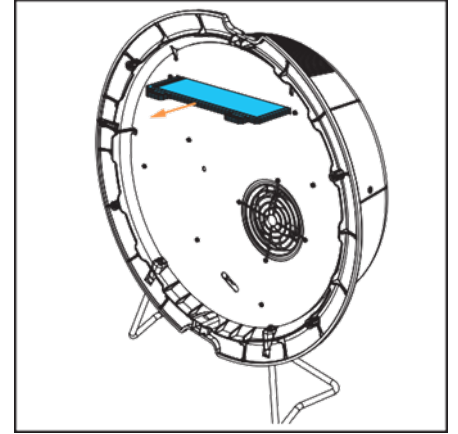


Hold tabs and insert the Sail flat and horizontally into the slot near the top of the device.

Replacing the Sail:

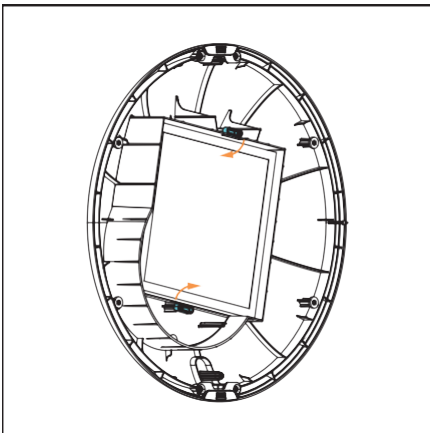


Hold the tabs of the Sail and pull toward you.

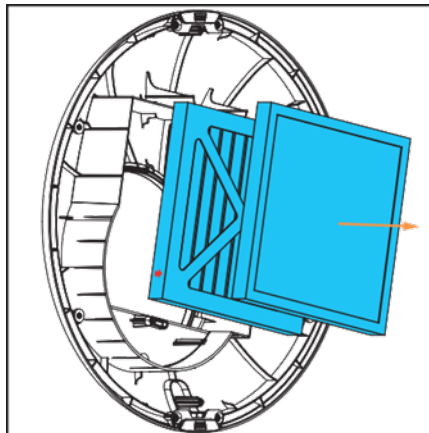


Remove and insert new Sail.

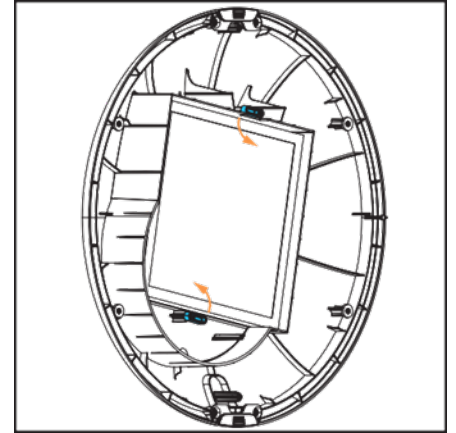
Installing / Replacing the Filters:



Turn the tabs 90 degrees.



Remove the old filters and replace with new filters*.



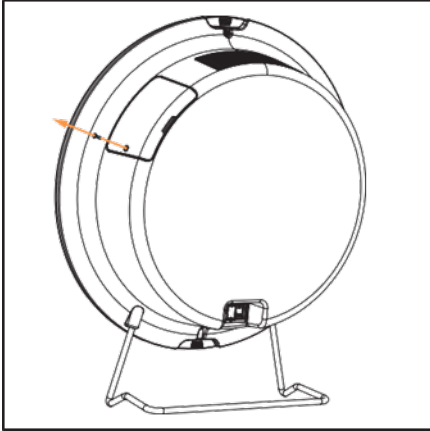
Turn tabs 90 degrees to secure the new filters in place, then reinstall the cover.

*First, insert the pleated MERV 11 filter (white or blue) and place on the bottom with the arrows pointing toward the fan. The carbon filter (black) is placed on top, closest to the fan. The carbon filter can be installed in any direction.

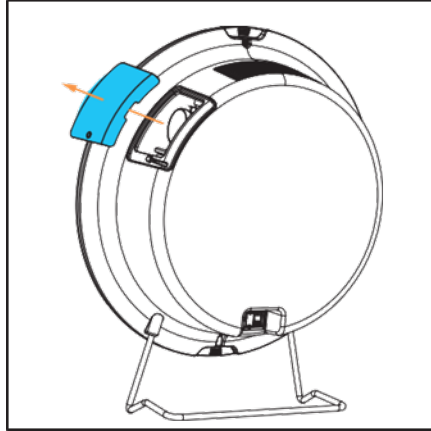
Installation (cont.)

CAUTION: Unplug the device before opening/removing bulb cover.

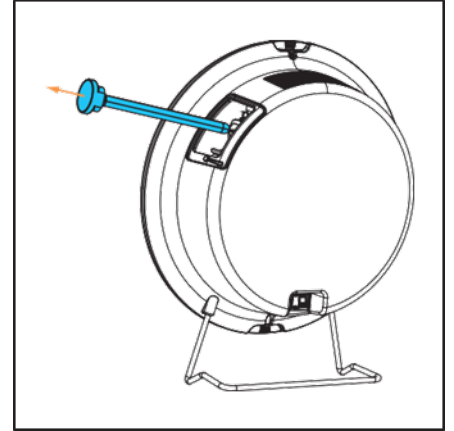
Inserting or replacing the Bulb:



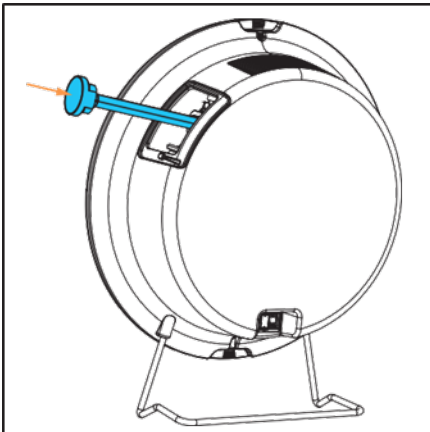
Remove the safety screw on the bulb cover, using the "L" shaped Torx Tool.



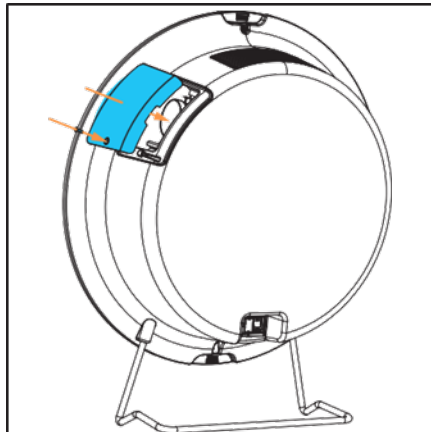
Remove bulb cover.



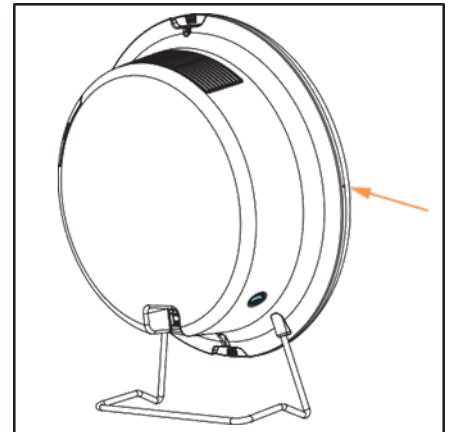
Remove bulb if already inserted.



Align the 4 pins to the female socket connectors and insert the new bulb. The bulb should not rock or move if it is fully seated.



Replace bulb cover and fasten the screw.



Plug in and power on the device. Green indicator will illuminate when power is on.

Troubleshooting

Issue 1: Is the green indicator light on the side of the device lit?

Check the green indicator light on the side of the unit. If GREEN indicator LED is NOT LIT, this means the unit is not getting power. Follow actions below until LED is LIT. If GREEN indicator LED is LIT, this means the unit is getting power; proceed to ISSUE 2, fan check.



Green light

ACTIONS:

- Verify power cord is securely inserted in wall outlet and device
- Verify power switch is in the 'ON' position
- Verify wall power outlet is active – suggest checking with lamp, phone charger, voltmeter, etc.
- Remove front cover and check for broken parts (could impact proper fit)
- Check for proper fit of device front cover by removing it and reinstalling it in a bottom to top motion.
- If none of the above are successful, contact your Synexis Account Representative at 1-844-352-7680 or email clientservices@synexis.com



on/off switch
- = on
O = off



Check for broken part

Issue 2: Is the fan audible and air blowing out of the top of the unit?

If the green LED indicator is LIT (see 1 above), and fan is not running / blowing air, contact your Synexis Account Representative at 844-352-7680 or email clientservices@synexis.com.

Issue 3: Is the UV bulb illuminated?

If UV bulb is NOT illuminated, follow actions below until bulb is on.

ACTIONS:

- Turn off device for 2 minutes, restart
- Verify bulb is securely seated and does not rock or move in the socket
- If Bulb checks are unsuccessful, contact your Synexis Account Representative at 1-844-352-7680 or email clientservices@synexis.com



Illuminated bulb

Maintenance

If your purchase of the Synexis System includes a maintenance contract, the following recommendations are handled by *Synexis Field Engineers* during regular scheduled visits.

Consumables:

Bulb Replacement

The UV-A bulb should maintain the same intensity no matter the speed of the fan. Bulb is warranted for 2 years. The maximum bulb rating is 50V, 21 W. Replace bulb with Model No. M4-CX-08, manufactured by LCD Lighting.

WARNING: UV-A bulbs contain a small amount of mercury similar to any fluorescent bulb. Check with your local waste management authority for disposal or recycling requirements. Additional disposal and recycling information can be found at: www.lamprecycle.org.

Filters and Sail Replacement

Filters and Sails should be replaced every 6 months; more challenging environments may require more frequent maintenance. Consult the Synexis Application Guide for Detail.

Each Sail comes pre-packaged in a food-grade plastic bag to maintain quality before use. For best performance, the Sail should not be removed from the bag until it is time to insert it into the device.

The filters and Sail can be disposed of in regular trash or as recyclable fiber and plastic (frame and polyester fabric). No special handling conditions are required.

Routine Cleaning:

To keep your device(s) in top condition, we recommend routine cleaning. Refer to cleaning instructions below.

Cleaning Instructions

Always disconnect the device from electrical power source prior to cleaning/disinfecting. In typical use environments with no disinfectant requirements periodically use a vacuum to remove dust collected around the air inlet and a cloth damp with water to wipe down external features of device.

For environments that require regular disinfecting of the external features of the device, replace the damp cloth with an EPA registered disinfectant wipe or equivalent approved for use in other jurisdictions. Apply disinfectant according to manufacturer's use instructions and ensure that no liquid from the wipe drips through the vents onto the catalyst coated sail. If there is a possibility of the cleanser dripping on the sail, replace the sail and continue the use of the device.

Getting the most from your Synexis System

It is important work with your Synexis Account Representative to determine the proper number of units for the size and configuration of your space. In some cases, multiple Synexis devices will be necessary. Be sure to change the Sail according to the recommended replacement schedule. Leave unopened Sails in their plastic bag and store them in a dark, dry location until you need to replace the current Sails in your device.

Close your windows and outside doors

The Sphere is designed for enclosed spaces, so it is important to keep all external windows and doors closed as much as possible. Open windows and/or doors can significantly reduce the efficiency of your system by allowing the DHP® to dissipate out of the facility.

Run your Synexis System 24 hours a day

The Sphere is designed to operate 24 hours a day, 7 days a week. DHP is meant to be a continuous clean technology as opposed to a temporary clean technology. The DHP molecule is delicate and safe at low concentration. Producing it continuously ensures a proper equilibrium concentration in your space for effective decontamination. Visit synexis.com for more information.

1-Year Limited Warranty

Contact your Synexis Account Representative for any device questions, service material needs or device issues. When contacting Synexis for a system issue that is under warranty, please be prepared to provide the following:

- ✓ A copy of the bill of sale
- ✓ Invoice or receipt of purchase
- ✓ An explanation of the problem or defect

This page intentionally left blank



Synexis LLC
8905 Lenexa Drive
Overland Park, KS 66214 USA

+1 844-352-7680
info@synexis.com

Original Instructions



MANUAL DEL PROPIETARIO

Sphere (120v)



INSTRUCCIONES IMPORTANTES DE SEGURIDAD

ANTES DE UTILIZAR ESTE DISPOSITIVO, LEA POR COMPLETO LAS INSTRUCCIONES Y ADVERTENCIAS DE ESTE MANUAL Y DEL DISPOSITIVO.

Sphere es un dispositivo eléctrico. Lea las instrucciones y consideraciones de seguridad antes de utilizar el dispositivo y tome las precauciones necesarias para reducir el riesgo de incendio, descarga eléctrica o lesiones. **La garantía limitada solo se aplica si la unidad se utiliza de acuerdo con estas instrucciones.**

✓ Utilice el cable de alimentación incluido con el dispositivo. El enchufe se ajusta sin problema a una toma de corriente estándar. No realice ningún tipo de modificación en el enchufe.

PRECAUCIÓN: PARA REDUCIR EL RIESGO DE INCENDIO O DESCARGA ELÉCTRICA, UTILÍCELO SOLO EN INTERIORES. CONSULTE LAS INSTRUCCIONES.

⚠ ADVERTENCIA: Una descarga eléctrica puede causar lesiones personales o la muerte.

⚠ ADVERTENCIA: La luz producida por la lámpara de este dispositivo puede resultar en daños a la piel o los ojos. Desconecte siempre la alimentación antes de volver a colocar las lámparas o realizar cualquier tarea de mantenimiento. Sustituya la lámpara por el modelo M4-CX-08, fabricada por LCD Lighting Inc.

⚠ ADVERTENCIA: No permita que el dispositivo se obstruya con polvo u otros residuos. Compruébelo periódicamente y sustituya la vela catalítica o el filtro si se obstruyen.

⚠ ADVERTENCIA: Para reducir el riesgo de incendio o descarga eléctrica, no utilice este producto junto a ningún dispositivo de control de velocidad de estado sólido.

Al utilizar un dispositivo eléctrico, siempre se deben tener precauciones básicas, incluyendo las siguientes:

⚠ ADVERTENCIA

Estas advertencias se aplican al dispositivo Synexis® y cuando corresponda, a todas las herramientas y accesorios. PARA REDUCIR EL RIESGO DE INCENDIO, DESCARGA ELÉCTRICA O LESIONES GRAVES:

1. Mantenga los materiales combustibles, como la ropa de cama, ropa, cortinas, muebles y papel, al menos a un metro de distancia del dispositivo cuando esté enchufado.
2. Utilícelo solo como se describe en este manual de instrucciones Synexis. No realice ningún mantenimiento distinto al indicado en este manual. Cualquier otro uso, no recomendado específicamente por el fabricante, puede resultar en incendios, descargas eléctricas o lesiones.
3. Asegúrese de que el dispositivo esté instalado siguiendo por completo las instrucciones del fabricante. No desmantele el dispositivo.

4. Este dispositivo Sphere no es un juguete. Tenga cuidado cuando haya niños cerca. No permita que los niños jueguen con el dispositivo Sphere.
5. Este dispositivo puede ser utilizado por niños mayores de 8 años bajo supervisión. Este dispositivo puede ser utilizado por personas con capacidades físicas, sensoriales o mentales reducidas o con falta de experiencia y conocimientos si han recibido supervisión o instrucciones sobre el uso del dispositivo de forma segura y comprenden los peligros que conlleva su uso.
6. El dispositivo Sphere es adecuado SOLO para lugares secos. No lo utilice en exteriores ni en superficies mojadas o cerca de ellas. No lo utilice en cuartos de baño, áreas de lavado o lugares interiores similares. No coloque nunca el dispositivo Sphere donde pueda caer en una bañera u otro recipiente con agua. No lo utilice ni lo guarde cerca de una bañera, ducha o piscina.
7. No utilice el dispositivo Sphere en lugares en los que se utilice o almacene combustible, pintura o líquidos inflamables que puedan liberar vapores.
8. No utilice en conjunto a ambientadores o productos similares.
9. No manipule ninguna parte del enchufe ni del dispositivo Sphere con las manos mojadas.
10. Fuente de luz UV. Desconecte el cable de alimentación antes de abrir la cubierta.
11. No se siente ni coloque ningún objeto sobre este dispositivo.
12. No lo utilice con un cable de alimentación o un enchufe dañados. En caso de que el cable de alimentación esté dañado, debe ser sustituido por Synexis, su agente de servicio técnico o personal cualificado para evitar cualquier peligro.
13. Desenchufe el cable de alimentación de la toma de corriente antes de realizar cualquier tipo de mantenimiento. No desenchufe el dispositivo Sphere tirando del cable de alimentación. Para desenchufar, sujete el enchufe, no el cable y remuevalo de la toma de corriente.
14. No estire el cable de alimentación ni lo someta a tensión. Mantenga el cable de alimentación alejado de superficies calientes.
15. No pase el cable de alimentación por debajo de una alfombra. No cubra el cable con alfombras, tapetes o revestimientos similares. No pase el cable por debajo de muebles u otros enseres. Evite colocar el cable de alimentación en zonas de mucho tránsito y donde haya riesgo de tropiezo.
16. Para evitar posibles incendios, no lo utilice con ninguna abertura o salida de aire bloqueada y manténgalo libre de polvo, pelusas, pelos y cualquier otra cosa que pueda reducir el flujo de aire. No introduzca ningún objeto en la rejilla de entrada ni en la abertura de escape, ya que podría provocar una descarga eléctrica, un incendio o dañar el dispositivo Sphere.
17. Para evitar el sobrecalentamiento, no cubra el dispositivo Sphere.
18. Para obtener el mejor rendimiento, coloque el dispositivo Sphere en un lugar donde la entrada de aire y la rejilla superior no estén obstruidas.

19. Apague todos los controles antes de desenchufar. Siempre desenchufe el dispositivo Sphere de la toma de corriente cuando no lo utilice.
20. Si el dispositivo Sphere no está funcionando como debe, se ha caído, golpeado, dañado, dejado a la intemperie o caído al agua, no lo utilice y póngase en contacto con su representante de cuentas de Synexis.
21. Póngase en contacto con Synexis cuando necesite servicio o reparación. No desarme el dispositivo Sphere, ya que un ensamblaje incorrecto puede provocar una descarga eléctrica o un incendio.
22. Para evitar el riesgo de tropiezo, asegure el cable de alimentación cuando no se use.
23. No utilice el dispositivo Sphere cerca de hornos, chimeneas, estufas u otras fuentes de calor o alta temperatura.
24. No rocíe ni aplique perfumes directamente sobre el filtro ni cerca de él. Mantenga los aceites esenciales y otros productos químicos alejados del dispositivo Sphere.

LEA Y GUARDE ESTAS INSTRUCCIONES

Contenido

- Bienvenido 5**
- Piezas incluidas 5**
- Acerca del peróxido de hidrógeno seco (DHP®)..... 6**
- Indicaciones de uso 6**
- Aviso jurídico 6**
- Especificaciones del dispositivo Sphere 7**
- Instalación..... 8**
- Resolución de problemas..... 11**
- Mantenimiento 12**
- Instrucciones de limpieza 12**
- Aproveche al máximo su sistema Synexis..... 13**
- Garantía limitada de 1 año 13**

Bienvenido

Gracias por elegir Synexis®, desarrolladores del peróxido de hidrógeno seco (DHP®) y este dispositivo Sphere. Antes de utilizar el sistema Synexis, tómese unos minutos para:

- ✓ Familiarizarse con el dispositivo Sphere
- ✓ Familiarizarse con los pasos de instalación y las herramientas necesarias
- ✓ Inspeccionar su sistema y sus piezas

Póngase en contacto con su representante de cuentas de Synexis si tiene preguntas o desea más información.

Piezas incluidas

- ✓ 1 Dispositivo Synexis® Sphere
- ✓ 1 Bombilla UV-A
- ✓ 1 Cable de alimentación (enchufe tipo B)
- ✓ 1 Guía de inicio rápido
- ✓ 1 destornillador Torx T10 con mango en T (para tornillo de seguridad)
- ✓ 1 Herramienta de seguridad Torx T10 en forma de "L" (para la tapa de la bombilla)
- ✓ 1 Soporte (ya instalado)
- ✓ 1 Soporte de pared

Kit de inicio (se envía por separado)

- ✓ 1 Vela
- ✓ 1 Filtro de carbón
- ✓ 1 filtro MERV 11

Una vez abierta la caja, desempaque el dispositivo y compruebe que no esté dañado.

NO UTILICE ESTE DISPOSITIVO SI OBSERVA ALGÚN DAÑO. Si el dispositivo está dañado, póngase en contacto con su representante de cuentas Synexis.

Acerca del peróxido de hidrógeno seco (DHP®)

Synexis es el único desarrollador de tecnología de gas peróxido de hidrógeno y DHP para espacios ocupados. Utilizando DHP, nuestra tecnología patentada de reducción microbiana permite la reducción natural y continua de la contaminación microbiana en espacios ocupados. Los sistemas Synexis están patentados para su uso en Estados Unidos y a través del mundo. Al abarcar todas las áreas de un espacio cerrado, el DHP puede llegar a las zonas más importantes de una instalación.

Al utilizar la humedad ambiental y el oxígeno presentes de forma natural en su espacio, la tecnología Synexis genera un nivel muy bajo de gas peróxido de hidrógeno (H₂O₂), lo que reduce la contaminación microbiana no deseada en el aire y en las superficies. Como el DHP es un verdadero gas, puede llegar a las zonas más difíciles y de más difícil acceso de sus instalaciones. El peróxido de hidrógeno seco es eficaz por su estado de materia y su método de acción.

Indicaciones de uso

Este producto no se vende como un dispositivo médico y no está destinado a ser utilizado para diagnosticar ninguna enfermedad o condición, ni debe ser utilizado en la mitigación, tratamiento o prevención de cualquier enfermedad o condición.

Aviso jurídico

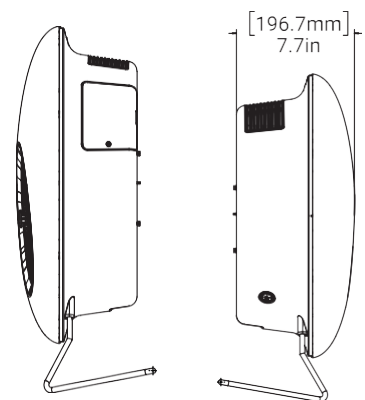
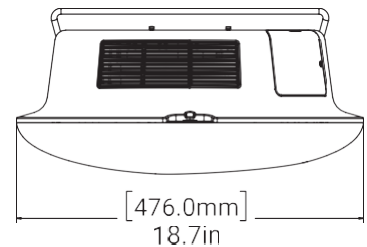
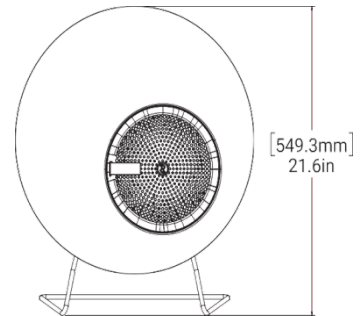
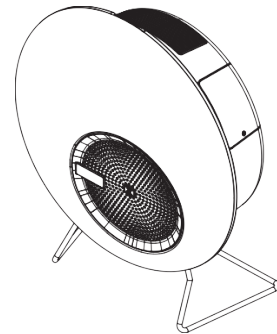
Aunque se ha hecho todo lo posible por garantizar la exactitud de la información contenida en este manual, Synexis no se hace responsable de los errores u omisiones, ni de las consecuencias derivadas del uso de la información aquí contenida. Este manual de Sphere se proporciona "tal cual" y sin ninguna representación, término, condición o garantía de ningún tipo, ya sea expresa o implícita. En la medida en que lo permita la ley, Synexis no se hará responsable ante ninguna persona o entidad de ninguna pérdida o daño que pueda derivarse del uso de este manual. Nos reservamos el derecho, en cualquier momento y sin previo aviso, de eliminar, modificar o variar cualquier contenido que aparezca en este manual.



Especificaciones del dispositivo Sphere

DISPOSITIVO	SPHERE 120
INSTALACIÓN	Soporte de pie o de pared
COBERTURA TÍPICA*	93 m ² / 1000 pies cuadrados
REQUISITOS DE TENSIÓN DE ENTRADA	100-130V 50/60 Hz
REQUISITOS DE CORRIENTE ELÉCTRICA	0.75A 90 vatios
PESO	6.4 kg / 14.1 libras
COLOR	Blanco y gris
MATERIALES	Policarbonato (PC) y aluminio
DIMENSIONES	Altura: 21.6" (549.3 mm) Anchura: 18.7" (476 mm) Profundidad: 7.7" (196.7 mm)
VENTILADOR	3 velocidades del ventilador
RUIDO DEL VENTILADOR	Alta: 64.5 dB Medio: 54.3 dB Bajo: 52.4 dB
RECAMBIOS CONSUMIBLES*	6 meses <ul style="list-style-type: none"> • Catalizador (Vela) • Filtro MERV 11 • Filtro de carbono 2 años <ul style="list-style-type: none"> • Bombilla fluorescente UV-A

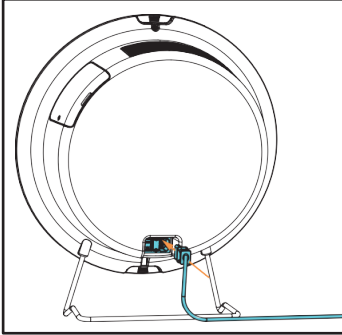
*La cobertura y las sustituciones de consumibles varían según la aplicación y dependen de factores como los contaminantes típicos del aire interior, la ocupación y otras variables. Consulte con los expertos técnicos de Synexis para validar la cobertura y la sustitución de consumibles.



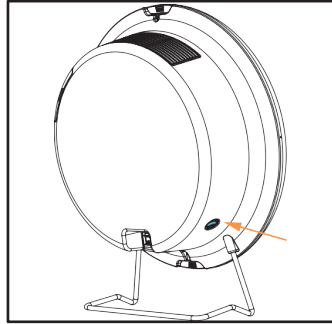
Instalación

El dispositivo Sphere requiere la instalación de los filtros, la vela y la bombilla UV-A antes de funcionar.

Conozca su dispositivo:

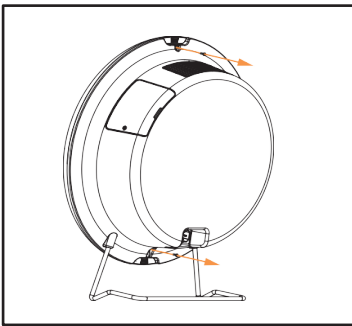


El cable de alimentación y el interruptor de encendido se encuentran en la parte posterior del aparato.

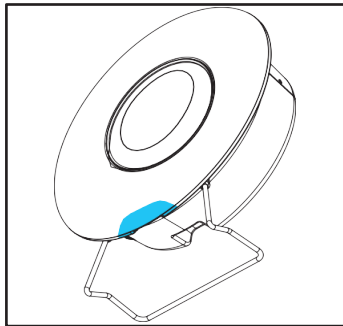


Para ajustar el flujo de aire del aparato, utilice el interruptor de control de velocidad del ventilador situado en el lado del aparato.

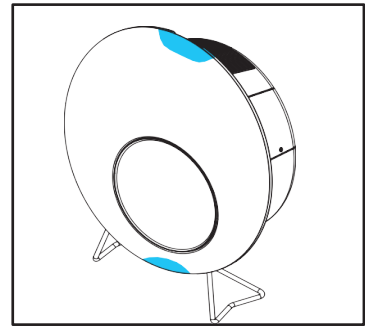
Abriendo la tapa:



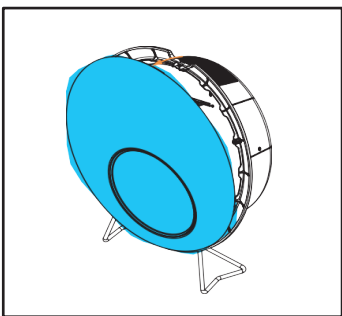
Retire los tornillos de seguridad de la parte superior e inferior.



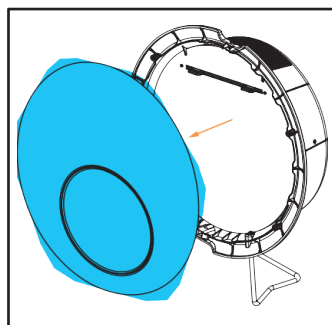
Sujete la parte inferior del aparato.



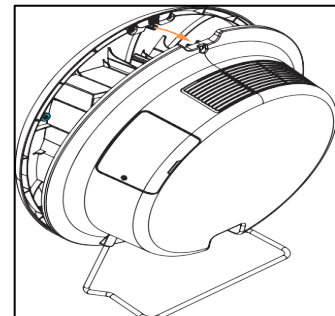
Agarre el hueco de la parte superior del aparato.



Tire de la parte superior e inferior de la tapa para desenganchar los imanes.



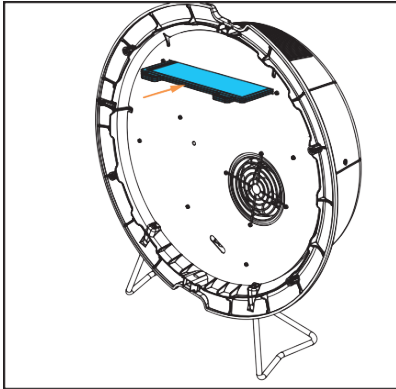
Quite la tapa:



Para volver a colocar la tapa, sitúe los pasadores superior e inferior sobre las ranuras. Deje que los imanes se vuelvan a enganchar. Apriete los tornillos de seguridad.

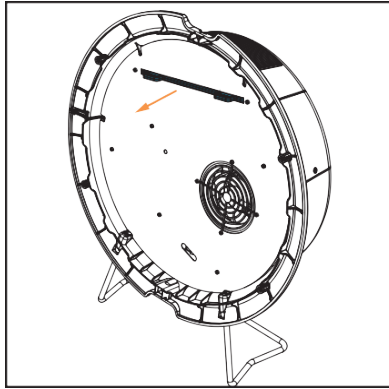
Instalación (cont.)

Inserte la vela:

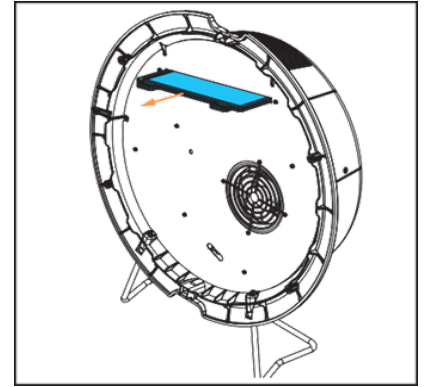


Sujete los pestillos e inserte la vela plana y horizontalmente en la ranura situada cerca de la parte superior del dispositivo.

Reemplazo de la vela:

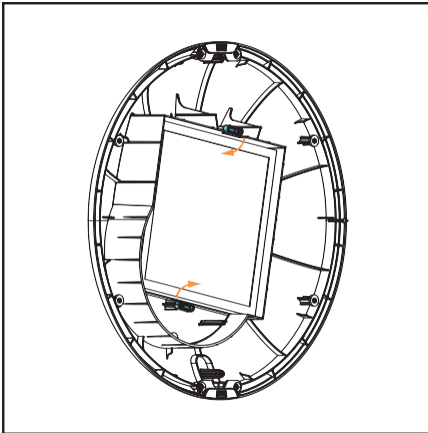


Sujete los pestillos de la vela y tire hacia usted.

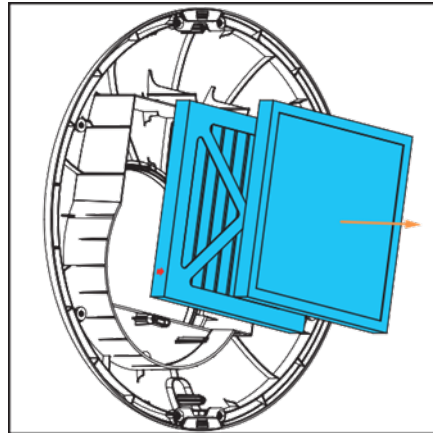


Remueva la vela usada e inserte la nueva vela.

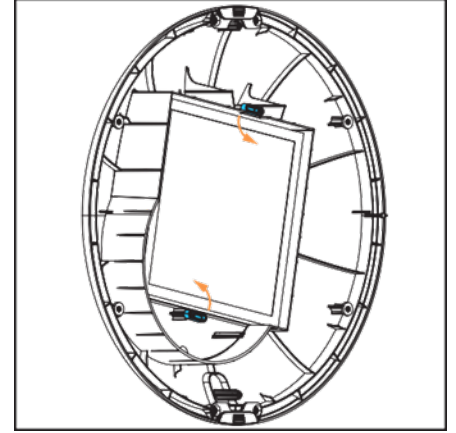
Instalación / Reemplazo de los filtros:



Gira los pestillos 90 grados.



Remueva los filtros viejos y sustítúyalos por filtros nuevos*.



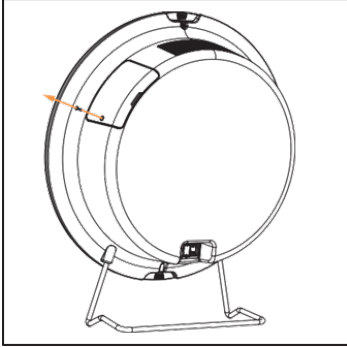
Gire los pestillos 90 grados para asegurar los nuevos filtros en su lugar, luego reinstale la cubierta.

*En primer lugar, inserte el filtro plisado MERV 11 (blanco o azul) y colóquelo en la parte inferior con las flechas apuntando hacia el ventilador. El filtro de carbón (negro) se coloca en la parte superior, más cerca del ventilador. El filtro de carbón puede instalarse en cualquier dirección.

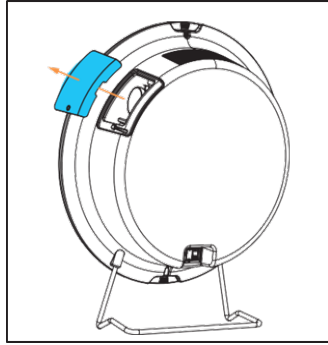
Instalación (cont.)

PRECAUCIÓN: Desenchufe el dispositivo antes de abrir o quitar la tapa de la bombilla.

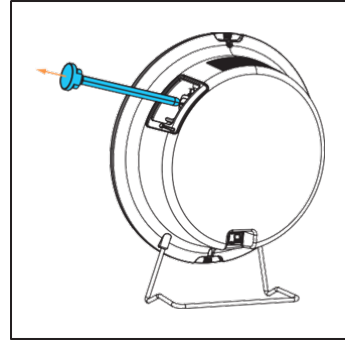
Inserte o reemplace de la bombilla:



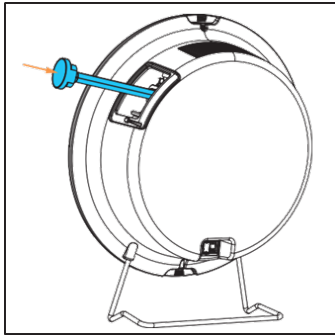
Retire el tornillo de seguridad de la tapa de la bombilla, utilizando la herramienta Torx en forma de "L".



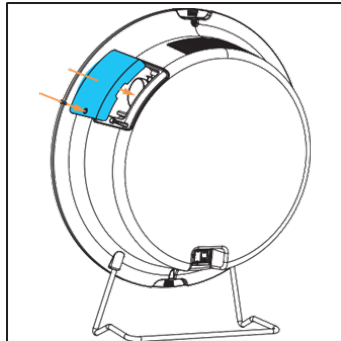
Retire la tapa de la bombilla.



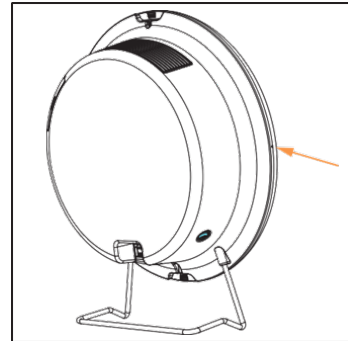
Remueva la bombilla si ya está insertada.



Alinee las 4 patillas con los conectores hembra e inserte la nueva bombilla. La bombilla no debe balancearse ni moverse si está completamente insertada.



Vuelva a colocar la tapa de la bombilla y apriete el tornillo.



Enchufe y encienda el dispositivo. El indicador verde se iluminará cuando la alimentación esté conectada.

Resolución de problemas

Paso 1: ¿Está encendido el indicador luminoso verde al lado del dispositivo?

Verifique el indicador luminoso verde situado al lado del aparato. Si el indicador LED VERDE NO ESTÁ ENCENDIDO, significa que la unidad no recibe energía eléctrica. Siga las siguientes acciones hasta que el LED se ENCIENDA. Si el indicador LED VERDE está ENCENDIDO, significa que la unidad está recibiendo energía eléctrica; continúe con el PASO 2, verificación del ventilador.



Luz verde

ACCIONES:

- Verifique que el cable de alimentación esté bien enchufado en la toma de corriente y en el dispositivo.
- Verifique que el interruptor de energía está en la posición "ON (-)"
- Verifique que la toma de corriente de la pared está activa; le sugerimos que lo compruebe con una lámpara, un cargador de teléfono, un voltímetro, etc.
- Retire la cubierta frontal y verifique que no hay piezas rotas (podrían afectar al ajuste correcto)
- Verifique que la cubierta frontal del dispositivo encaja correctamente quitándola y volviéndola a colocar con un movimiento de abajo hacia arriba.
- Si ninguna de las opciones anteriores da resultado, póngase en contacto con su representante de cuentas de Synexis llamando al +1 844-352-7680 o enviando un correo electrónico a clientservices@synexis.com



interruptor on/off
- = en
O = desactivado



Compruebe las piezas rotas

Paso 2: ¿Se oye el ventilador y sale aire por la parte superior de la unidad?

Si el indicador LED verde está ENCENDIDO (consulte el Paso 1) y el ventilador no está en funcionamiento ni sopla aire desde la parte superior del dispositivo, póngase en contacto con su representante de cuentas de Synexis llamando al +1 844-352-7680 o enviando un correo electrónico a clientservices@synexis.com.

Paso 3: ¿Está iluminada la bombilla UV?

Si la bombilla UV NO está encendida, siga las siguientes acciones hasta que la bombilla se encienda.

ACCIONES:

- Apague el dispositivo por 2 minutos, vuelva a prenderlo
- Verifique que la bombilla está bien asentada y que no se balancea ni se mueve en la base
- Si las pruebas de la bombilla no tienen éxito, póngase en contacto con su representante de cuentas de Synexis llamando al +1 844-352-7680 o enviando un correo electrónico a clientservices@synexis.com



Bombilla luminosa

Mantenimiento

Si su compra del sistema Synexis incluye un contrato de mantenimiento, *los ingenieros de campo de Synexis* se encargan de las siguientes recomendaciones durante las visitas periódicas programadas.

Consumibles:

Sustitución de bombillas

La bombilla UV-A mantiene la misma intensidad independientemente de la velocidad del ventilador. La bombilla tiene una garantía de 2 años. La potencia máxima de la bombilla es de 50 V, 21 W. Reemplace la bombilla con el modelo nº M4-CX-08, fabricada por LCD Lighting.

ADVERTENCIA: Las bombillas UV-A contienen una pequeña cantidad de mercurio similar a cualquier bombilla fluorescente. Consulte a su autoridad local de desperdicios para conocer los requisitos de eliminación o reciclaje.

Reemplazo de filtros y velas

Los filtros y las velas deben reemplazarse cada 6 meses; los espacios más exigentes pueden requerir un mantenimiento más frecuente.

Cada vela viene preenvasada en una bolsa de plástico para mantener la calidad antes de su uso. Para obtener un rendimiento óptimo, la vela no debe sacarse de la bolsa hasta el momento de introducirla en el dispositivo.

Los filtros y la vela pueden desecharse en la basura normal o como fibra y plástico reciclables (marco y tejido de poliéster). No se requieren condiciones especiales de manipulación.

Limpieza rutinaria:

Para mantener su(s) dispositivo(s) en las mejores condiciones, le recomendamos una limpieza rutinaria. Consulte las instrucciones de limpieza a continuación.

Instrucciones de limpieza

Siempre desconecte el dispositivo de la fuente de energía eléctrica antes de limpiarlo o desinfectarlo. En espacios de uso típico sin necesidad de desinfectantes, utilice periódicamente una aspiradora para eliminar el polvo acumulado alrededor de la entrada de aire y un paño humedecido con agua para limpiar los elementos externos del dispositivo.

Para espacios que requieran una desinfección periódica de los elementos externos del dispositivo, sustituya el paño húmedo por una toallita desinfectante registrada. Aplique el desinfectante de acuerdo con las instrucciones de uso del fabricante y asegúrese de que ningún líquido de la toallita gotee a través de los orificios de ventilación sobre la vela cubierta de catalizador. Si existe la posibilidad de que el limpiador haya goteado sobre la vela, reemplace la vela y continúe utilizando el dispositivo.

Aproveche al máximo su sistema Synexis

Es importante que trabaje con su representante de cuentas de Synexis para determinar el número adecuado de unidades para el tamaño y la configuración de su espacio. En algunos casos, serán necesarios varios dispositivos Synexis. No olvide cambiar la vela según el calendario de sustitución recomendado. Mantenga las Velas sin abrir en su bolsa de plástico y guárdelos en un lugar oscuro y seco hasta que necesite sustituirlas.

Cierre las ventanas y puertas exteriores

Sphere está diseñado para espacios cerrados, por lo que es importante mantener cerradas todas las ventanas y puertas exteriores en la medida que sea posible. Las ventanas y puertas abiertas pueden reducir significativamente la eficacia de su sistema al permitir que el DHP® se disipe fuera de la instalación.

Haga funcionar su sistema Synexis las 24 horas del día

Sphere está diseñado para funcionar 24 horas al día, 7 días a la semana. La cogeneración se concibe como una tecnología limpia, continua y no temporal. La molécula DHP es delicada y segura a baja concentraciones. Su producción continua garantiza una concentración de equilibrio adecuada en su espacio para una descontaminación eficaz. Visite synexis.com para obtener más información.

Garantía limitada de 1 año

Póngase en contacto con su representante de cuentas de Synexis para cualquier pregunta sobre dispositivos, necesidad de material de servicio o problemas con dispositivos. Cuando se ponga en contacto con Synexis por un problema del sistema que esté en garantía, esté preparado para proporcionar lo siguiente:

- ✓ Una copia de la factura de venta
- ✓ Factura o recibo de compra
- ✓ Una explicación del problema o defecto

Esta página se ha dejado en blanco de forma intencional



Synexis LLC
8905 Lenexa Drive
Overland Park, KS 66214 EE.UU.

+1 844-352-7680
info@synexis.com

Instrucciones originales